

Spare Parts List

Pump

A	UHSUPRA0143	7L Pump Module Assembly Kit
1-2	UHSUPRA0132	Diaphragm Assembly 50Hz
1-3	UHSUPRA0175	Shockproof Foam Pad
1-4	UHSUPRA0172	Support Foam
1-5	UHSUPRA0432	Shockproof Fixture Plate with Ground
B	UHSUPRA0177	2-1 Air Valve Assembly Kit (Digital)
2-2	UHSUPRA0130	Synchronous Motor
2-3	UHSUPRA0145	Photointerrupter PCB Assembly TD-111B
C	UHSUPRA0281	Air Outlet 2-1 Alternating Panel Kit
4	UHSUPRA0261	Air Outlet 2-1 Alternating Panel
5	UHSUPRA0065	Label Sticker U Series Air Outlet 2-1 Alternating Panel
D	UHSUPRA0480	Front and Rear Cases Assembly Kit
6	UHSUPRA0062	Foam Pad - Feet
7	UHSUPRA0083	Foam Pad 45 X 15 X T5 - Rear
8	UHSUPRA0479	Front and Rear Cases
11	UHSUPRA0109	Cotton Filter
12	UHSUPRA0146	Filter Cap
D-1	UHSUPRA0107	Hanger Bracket Assembly Kit
9	UHSUPRA0264	Hanger Left and Right Bracket Set
9-1	UHSUPRA0265	Spring for Right Bracket
9-2	UHSUPRA0266	Metal Plate for Bracket
9-3	UHSUPRA0241	Self-Tapping Screws Diameters 3X10
10-1	UHSUPRA0267	Spring for Left Bracket
E	UHSUPRA0217	Power Side Panel Assembly Kit
13-1	UHSUPRA0155	Fuse Holder
13-2	UHSUPRA0154	Rocker Switch Black Side Panel
13-3	UHSUPRA0153	Tubular Glass Fuse 1A/250V
13-4	UHSUPRA0216	IEC Socket 3P
15	UHSUPRA0057	Power Cord Protector, Red
16	UHSUPRA0066	Label Sticker U Series Power Side Panel
E	UHSUPRA0283	Power Side Panel (2 Prong Plug) for Digital Pump Assembly Kit
13-1	UHSUPRA0155	Fuse Holder
13-2	UHSUPRA0154	Rocker Switch Black Side Panel
13-3	UHSUPRA0153	Tubular Glass Fuse 1A/250V
13-4	UHSUPRA0270	IEC Socket 2P
15	UHSUPRA0057-2	Power Cord Protector, Red, Long
16	UHSUPRA0066	Label Sticker U Series Power Side Panel



Spare Parts List

G	UHSUPRA0287	Control Panel Secondary PCB Assembly Kit (3 Prong plug only)
22	UHSUPRA0197	Control Panel PCB Set TD-260
22-2	UHSUPRA0070	PCB Spacer
22-3	UHSUPRA0069	PCB Header Pins
P1	UHSUPRA0135	Control Panel Inlay Tamora II Digital
	UHSUPRA0136	Control Panel Inlay Tamora Plus II Digital
P2	UHSUPRA0152	Ultimate Healthcare Front Oval Logo Label
P3	UHSUPRA0085A	Tamora II Digital Main PCB with MCU (3 prong plug)
	UHSUPRA0085B	Tamora Plus II Digital Main PCB with MCU (3 prong plug)
	UHSUPRA0300	Tamora II Digital (2 Prong Plug) All-in-One PCBA TD-375 Alternating
	UHSUPRA0288	Tamora Plus II Digital (2 Prong Plug) All-in-One PCBA TD-375 Alternating
P3-1	UHSUPRA0253	Ni-MH Alarm Battery 4.8V, 80mAh with Wires
1-1	UHSUPRA0234	Self-Tapping Screws Diameters 4 X 20
3	UHSUPRA0276	Tri-Set Tubing
17	UHSUPRA0173-3	Power Cord British Plug, 5A Fuse, Black 16' (3 Prong Plug)
	UHSUPRA0277	Power Cord British Plug without Ground, 5A Fuse, Black 16' (2 Prong Plug)
21	UHSUPRA0437	Digital Control Panel Plate
22-1	UHSUPRA0278	Self-Tapping Screws Diameters 3 X 8
24	UHSUPRA0438	Transformer Ei41Xh20 230V→8V 0.5A
24-1	UHSUPRA0289	Self-Tapping Screws Diameters 3 X 23
26	UHSUPRA0215-2	UL/CE Safety Label
27	UHSUPRA0179	Ni-MH Alarm Battery Holder
28	UHSUPRA0314	Noise Cancelling Bag L80 + L170

How to identify your pump type



2 Prong Plug - UHSUPRA0277



3 Prong Plug - UHSUPRA0173-3

Tamora II Digital 3 Prong Plug – Up to serial number 7809463762

Tamora II Digital 2 Prong Plug – From serial number 7809463763

Tamora Plus II Digital 3 Prong Plug – Up to serial number 7809420553

Tamora Plus II Digital 2 Prong plug – From serial number 7809420554



Spare Parts List

How to find your serial number

The serial number is located on the sticker on the back of your pump.

Please Note

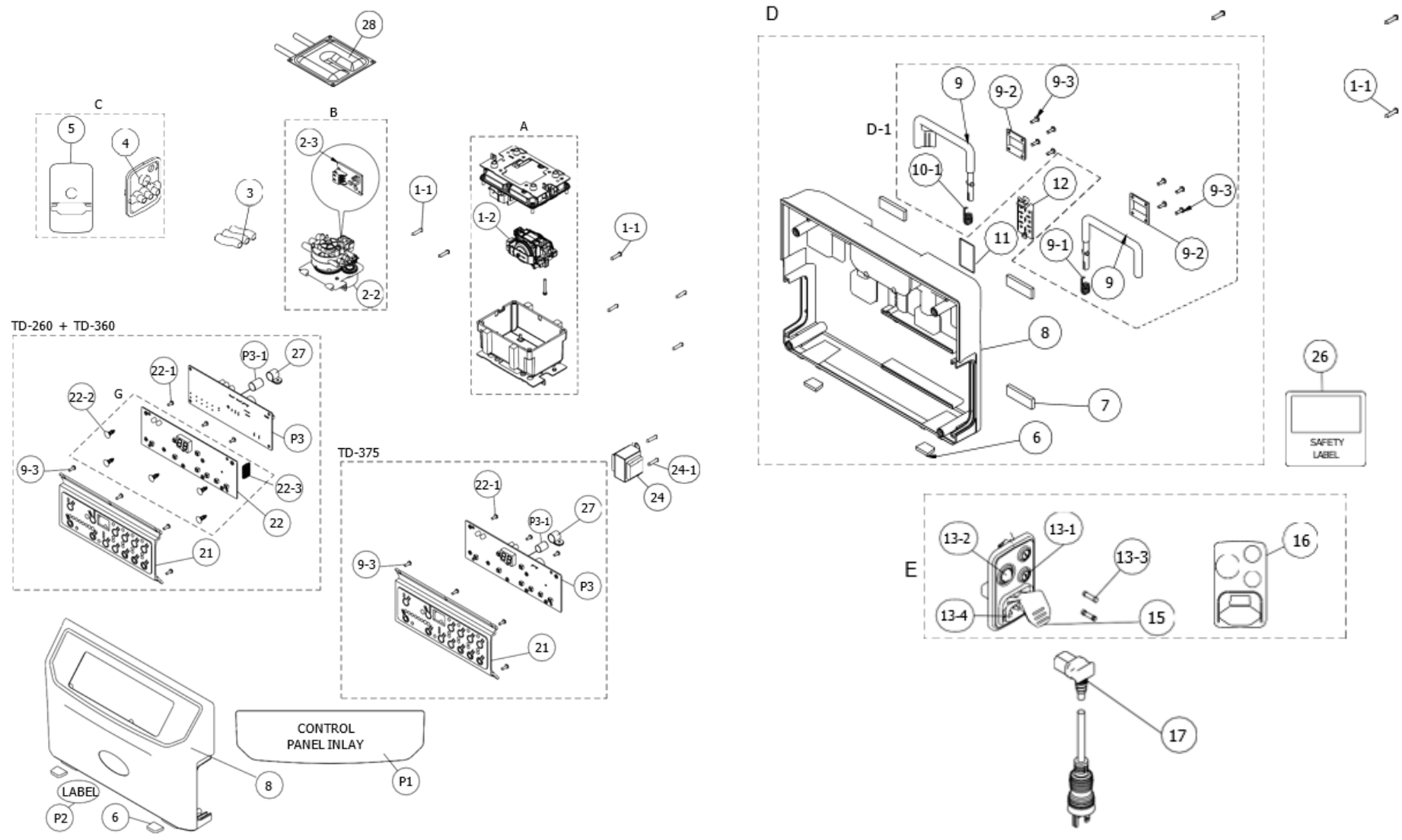
Opening your pump invalidates the manufacturers guarantee. Repairs and/or replacement of parts should only be carried out by trained personnel.

Questions?

Please email enquiries@ultimatehealthcare.co.uk



Spare Parts List



Spare Parts List

Mattress

Tamora II Digital

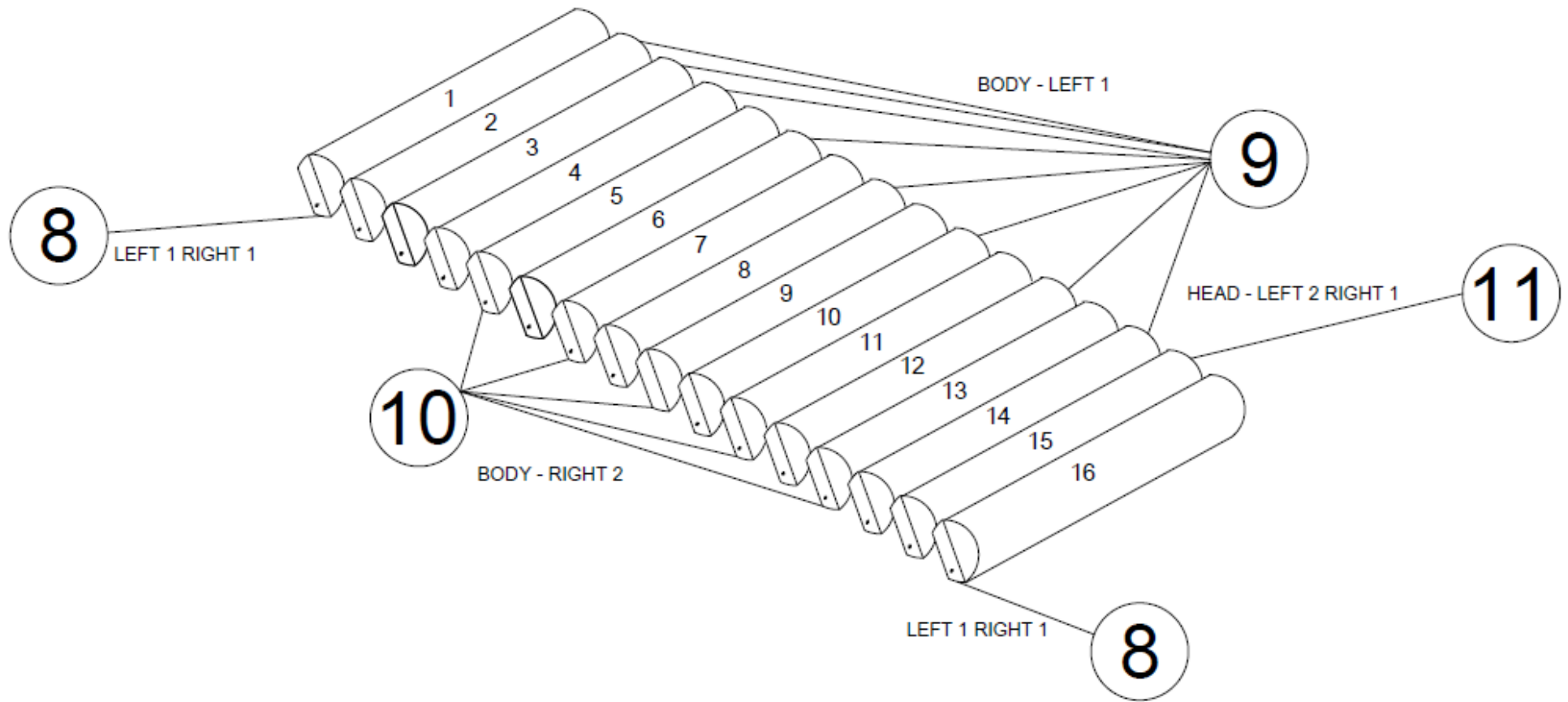
Item #	UH Part Number	Description
1	UHSUPRA0439	Mattress Top Cover Tamora II Digital - 2 Zips (Half Zips)
2	UHSUPRA0436	Mattress Base 5" Tamora II/Tamora II Digital
2-1	UHSUPRA0435	5" 16 Cells Mattress Retainer (with Nylon-PVC base)
3	UHSUPRA0129	Pump Connector With Hose, 2-1 Alternating
4	UHSUPRA0114	Pump Connector Sleeve Purple/White L1300
5	UHSUPRA0076	Twist Valve Q-CPR Module For 4"/5" Mattresses
6	UHSUPRA0128-1	Twist Valve Q-CPR Sleeve Purple/White - Plastic Button L240
7	UHSUPRA0081	Manifold 5" Nylon-TPU 2-1 Alternating Q-CPR
7-1	UHSUPRA0105	One-Way Valve Set With Tubings - 110mm
8	UHSUPRA0079	5" Cell Nylon-TPU, L1R1
9	UHSUPRA0077	5" Cell Nylon-TPU, L1
10	UHSUPRA0078	5" Cell Nylon-TPU, R2
11	UHSUPRA0080	5" Cell Nylon-TPU, L2R2

Tamora Plus II Digital

Item #	UH Part Number	Description
1	UHSUPRA0019-2	Mattress Top Cover Tamora Plus II Digital- 2 Zips (Half Zips)
2	UHSUPRA0074	Mattress Base 5" Tamora Plus II/Tamora Plus II Digital
2-1	UHSUPRA0435	5" 16 Cells Mattress Retainer (with Nylon-PVC base)
3	UHSUPRA0129	Pump Connector With Hose, 2-1 Alternating
4	UHSUPRA0114	Pump Connector Sleeve Purple/White L1300
5	UHSUPRA0076	Twist Valve Q-CPR Module For 4"/5" Mattresses
6	UHSUPRA0128-1	Twist Valve Q-CPR Sleeve Purple/White - Plastic Button L240
7	UHSUPRA0081-2	Manifold 5" TPU 2-1 Alternating Q-CPR
7-1	UHSUPRA0105	One-Way Valve Set With Tubings - 110mm
7-2	UHSUPRA0189	Mechanical Bleed Valve
8	UHSUPRA0079-2	5" Cell TPU, L1R1
9	UHSUPRA0077-2	5" Cell TPU, L1
10	UHSUPRA0078-2	5" Cell TPU, R2
11	UHSUPRA0080-2	5" Cell TPU, L2R2



Spare Parts List



Spare Parts List

