

# Spare Parts List

## Pump

Item #	UH Part Number	Description
<b>A</b>	<b>UHSUPRA0195</b>	<b>9L Pump Module Assembly Kit</b>
1-2	UHSUPRA0290	9L Energy Saver Diaphragm Assembly 50Hz
<b>B</b>	<b>UHSUPRA0199</b>	<b>3-1 Air Valve Assembly Kit</b>
2-2	UHSUPRA0130	Synchronous Motor
2-3	UHSUPRA0145	Photointerrupter PCB Assembly TD-111B
<b>C</b>	<b>UHSUPRA0291</b>	<b>Air Outlet 3-1 Alternating Panel Kit</b>
4	UHSUPRA0292	Air Outlet 3-1 Alternating Panel
5	UHSUPRA0192	Label Sticker U Series Air Outlet 3-1 Alternating Panel
<b>D</b>	<b>UHSUPRA0479</b>	<b>Front and Rear Cases Assembly Kit</b>
6	UHSUPRA0062	Foam Pad - Feet
7	UHSUPRA0083	Foam Pad 45 X 15 X T5 - Rear
8	UHSUPRA0480	Front and Rear Cases
11	UHSUPRA0109	Nonwoven Filter
12	UHSUPRA0146	Filter Cap
<b>D-1</b>	<b>UHSUPRA0107</b>	<b>Hanger Bracket Assembly Kit</b>
9	UHSUPRA0264	Hanger Left and Right Bracket Set
9-1	UHSUPRA0265	Spring for Right Bracket
9-2	UHSUPRA0266	Metal Plate for Bracket
9-3	UHSUPRA0241	Self-Tapping Screws Diameters 3 X 10
10-1	UHSUPRA0267	Spring for Left Bracket
<b>E</b>	<b>UHSUPRA0217</b>	<b>Power Side Panel (3 Prong Plug) Assembly Kit</b>
13-1	UHSUPRA0155	Fuse Holder
13-2	UHSUPRA0154	Rocker Switch Black Side Panel
13-3	UHSUPRA0153	Tubular Glass Fuse 1A/250V
13-4	UHSUPRA0216	IEC Socket 3P
15	UHSUPRA0057	Power Cord Protector, Red
16	UHSUPRA0066	Label Sticker U Series Power Side Panel
<b>E</b>	<b>UHSUPRA0283</b>	<b>Power Side Panel (2 Prong Plug) for Digital Pump Assembly Kit</b>
13-1	UHSUPRA0155	Fuse Holder
13-2	UHSUPRA0154	Rocker Switch Black Side Panel
13-3	UHSUPRA0153	Tubular Glass Fuse 1A/250V
13-4	UHSUPRA0270	IEC Socket 2P
15	UHSUPRA0057-2	Power Cord Protector, Red, <b>Long</b>
16	UHSUPRA0066	Label Sticker U Series Power Side Panel
<b>G</b>	<b>UHSUPRA0287</b>	<b>Control Panel Secondary PCB Assembly Kit (3 Prong plug only)</b>
22	UHSUPRA0197	Control Panel PCB Set TD-260
22-2	UHSUPRA0070	PCB Spacer
22-3	UHSUPRA0069	PCB Header Pins



# Spare Parts List

P1	UHSUPRA0193	Control Panel Inlay Tamora III Advance
P2	UHSUPRA0152	Ultimate Healthcare Front Oval Logo Label
<b>P3</b>	<b>UHSUPRA0196</b>	<b>Tamora III Advance Main PCB with MCU (3 prong plug)</b>
	<b>UHSUPRA0301</b>	<b>Tamora III Advance (2 Prong Plug) All-in-One PCBA TD-375 Alternating</b>
P3-1	UHSUPRA0253	Ni-MH Alarm Battery 4.8V, 80mAh with Wires
1-1	UHSUPRA0246	Self-Tapping Screws Diameters 4 X 20
3	UHSUPRA0276	Tri-Set Tubing
17	UHSUPRA0173-3	Power Cord British Plug, 5A Fuse, Black 16' <b>(3 Prong Plug)</b>
	UHSUPRA0277	Power Cord British Plug without Ground, 5A Fuse, Black 16' <b>(2 Prong Plug)</b>
21	UHSUPRA0437	Digital Control Panel Plate
22-1	UHSUPRA0278	Self-Tapping Screws Diameters 3 X 8
24	UHSUPRA0438	Transformer Ei41Xh20 230V→8V 0.5A
24-1	UHSUPRA0289	Self-Tapping Screws Diameters 3 X 23
26	UHSUPRA0215-2	UL/CE Safety Label
27	UHSUPRA0179	Ni-MH Alarm Battery Holder
28	UHSUPRA0314	Noise Cancelling Bag L80 + L170

### How to identify your pump type



2 Prong Plug - UHSUPRA0277



3 Prong Plug - UHSUPRA0173-3

**Tamora III Advance 3 Prong Plug – Up to serial number 7809427836**

**Tamora III Advance 2 Prong Plug – From serial number 7809427837**

### How to find your serial number

The serial number is located on the sticker on the back of your pump.

### Please Note

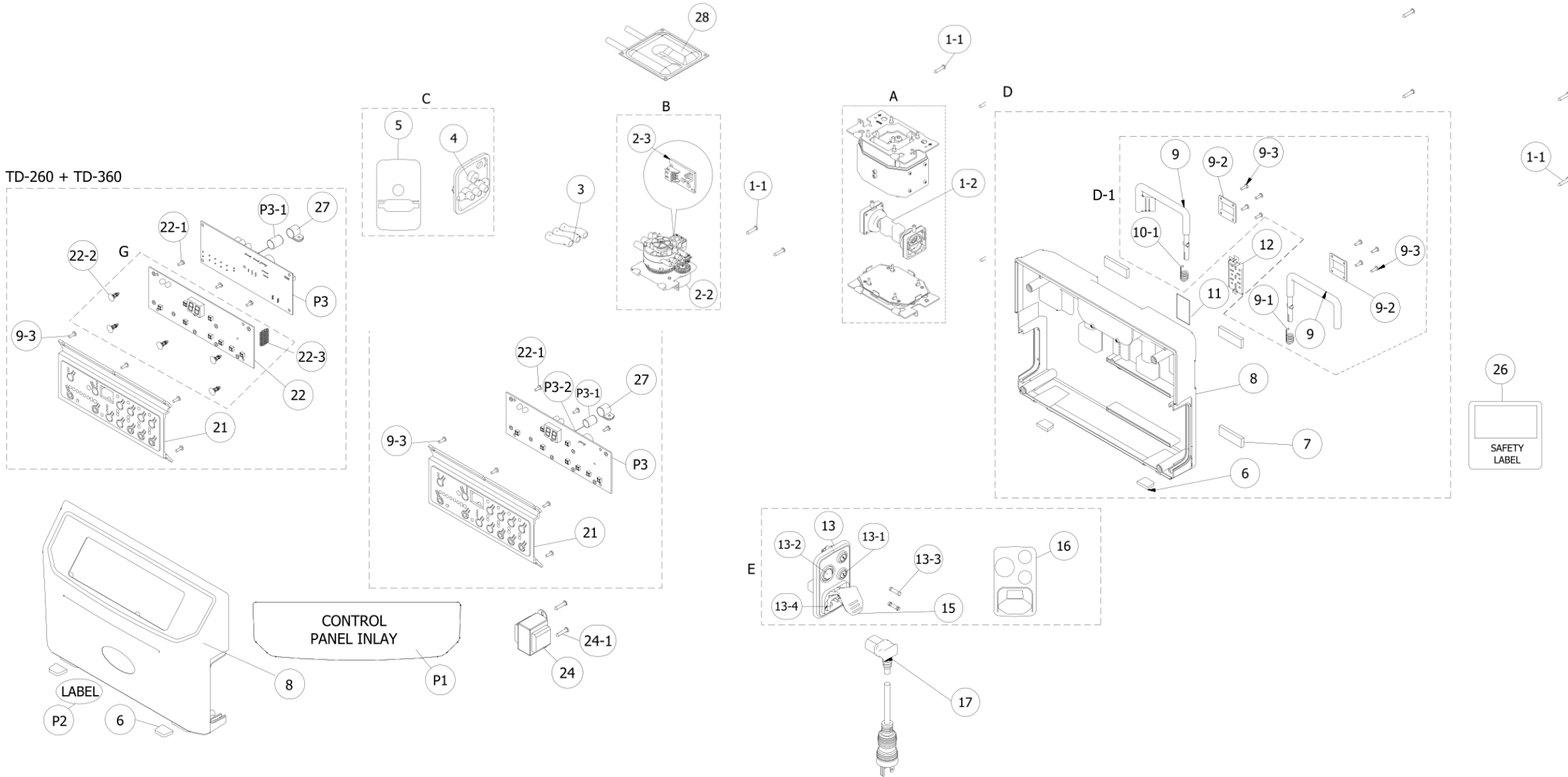
Opening your pump invalidates the manufacturers guarantee. Repairs and/or replacement of parts should only be carried out by trained personnel.

### Questions?

Please email enquiries@ultimatehealthcare.co.uk



## Spare Parts List

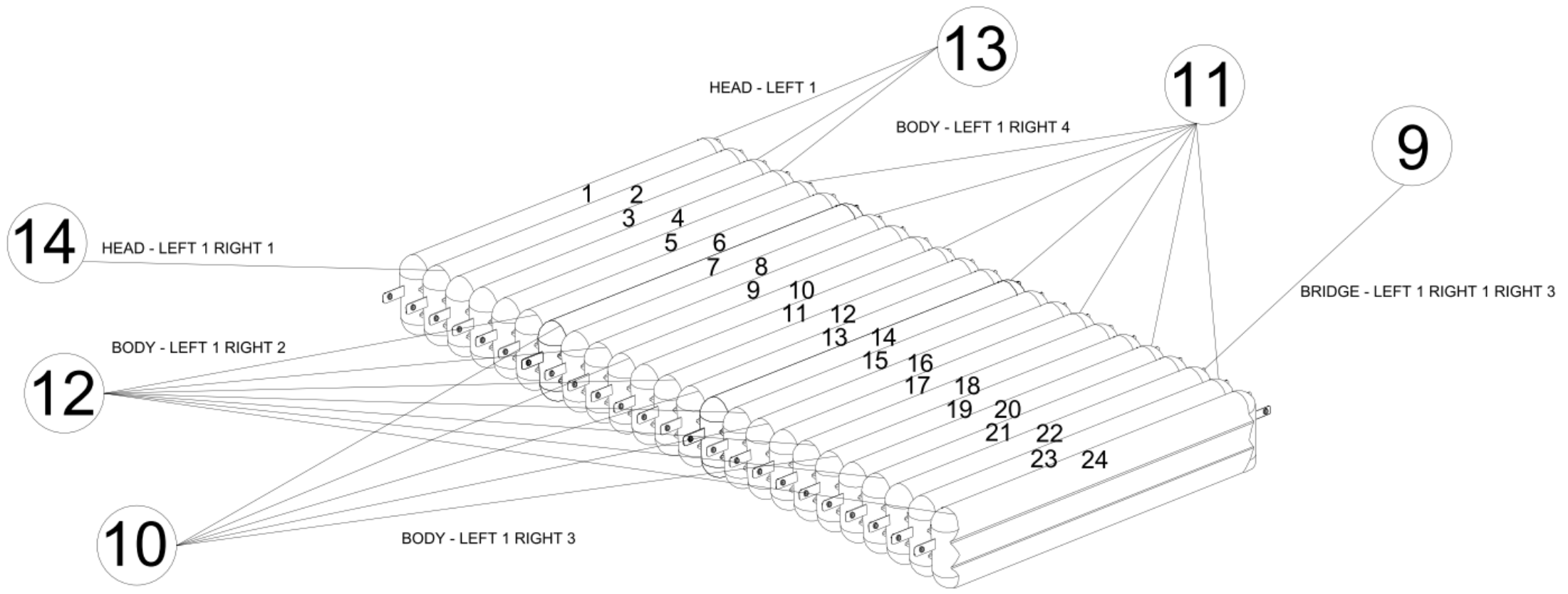


## Spare Parts List

Item #	UH Part Number	Description
1	UHSUPRA0244	Mattress Top Cover Tamora III Advance
2	UHSUPRA0210	Mattress Base 8" 24 Air Cells
2-1	UHSUPRA0448	8" 24 Air Cells Mattress Retainer (with Nylon-PVC base)
3	UHSUPRA0181	Pump Connector With Hose, 3-1 Alternating
4	UHSUPRA0114	Pump Connector Sleeve Purple/White
5	UHSUPRA0180	Twist Valve Q-CPR Module For 8" Mattresses, 3-1 Alternating
6	UHSUPRA0128-1	Twist Valve Q-CPR Sleeve Purple/White - Plastic Button L240
7	UHSUPRA0213	Manifold Right 8" TPU 3-1 Alternating Q-CPR
7-1	UHSUPRA0449	One-Way Valve Set With Tubings (L150)
7-2	UHSUPRA0189	Mechanical Bleed Valve
8	UHSUPRA0214	Manifold Left 8" TPU 3-1 Alternating Q-CPR
9	UHSUPRA0450	8" Bridge Cell TPU, L1R1R3
10	UHSUPRA0185	8" Body Cell, TPU, L1R3
11	UHSUPRA0451	8" Body Cell, TPU, L1R4
12	UHSUPRA0461	8" Body Cell, TPU, L1R2
13	UHSUPRA0182	8" Head Cell, TPU, L1
14	UHSUPRA0183	8" Head Cell, TPU, L1R1



# Spare Parts List



# Spare Parts List

