

Spare Parts List

Pump

Item #	UH Part Number	Description
A	UHSUPRA0476	9L Energy Saver Pump Module Assembly Kit
B	UHSUPRA0103	W Series 2-1 Air Valve Assembly Kit
2-2	UHSUPRA0130	Synchronous Motor
2-3	UHSUPRA0145	Photo interrupter PCB Assembly TD-111B
C	UHSUPRA0096	Air and Power Outlet 2-1 Alternating Panel Assembly
5	UHSUPRA0068	Label Sticker W Series Air Outlet 2-1 Alternating Panel
13	UHSUPRA0486	Air and Power Outlet 2-1 Alternating Panel for W Series
13-1	UHSUPRA0155	Fuse Holder
13-2	UHSUPRA0154	Rocker Switch Black Side Panel
13-2	UHSUPRA0153	Tubular Glass Fuse 1A/250V
13-4	UHSUPRA0270	IEC Socket 2P
D	UHSUPRA0477	W Series Front and Rear Cases Assembly Kit
6	UHSUPRA0062	Foam Pad - Feet
7	UHSUPRA0083	Foam Pad 45 x 15 x T5 - Rear
8	UHSUPRA0478	Front and Rear Cases
11	UHSUPRA0109	Nonwoven Filter
12	UHSUPRA0146	Filter Cap
D-1	UHSUPRA0107	U/W Series Hanger Bracket Assembly Kit
9	UHSUPRA0264	Hanger Left and Right Bracket
9-1	UHSUPRA0265	Spring for Right Bracket
9-2	UHSUPRA0266	Metal Plate for Bracket



Spare Parts List

Item #	UH Part Number	Description
9-3	UHSUPRA0241	Self-Tapping Screws Diameters 3 X 10
10-1	UHSUPRA0267	Spring for Left Bracket
P1	UHSUPRA0299	Control Panel Inlay Heritage II Digital with CLP
P2	UHSUPRA0152	Ultimate Healthcare Oval Logo Label
P3	UHSUPRA0305	All-in-One PCBA TD-375 Alternating with CLP
P3-1	UHSUPRA0253	Ni-MH Alarm Battery 4.8V, 80mAh with Wires
P3-2	UHSUPRA0268	Ni-MH Alarm Battery Connector
1-1	UHSUPRA0246	Self-Tapping Screws Diameters 4 X 20
3	UHSUPRA0276	Tri-Set Tubing
17	UHSUPRA0277	Power Cord British Plug without Ground, 5A Fuse, Black 16' (2 Prong Plug)
21	UHSUPRA0437	Digital Control Panel Plate
22-1	UHSUPRA0278	Self-Tapping Screws Diameters 3 X 8
24	UHSUPRA0438	Transformer Ei41Xh20 230V→8V 0.5A
24-1	UHSUPRA0289	Self-Tapping Screws Diameters 3 X 23
27	UHSUPRA0179	Ni-MH Alarm Battery Holder
28	UHSUPRA0314	Noise Cancelling Bag L80 + L170
29	UHSUPRA0315	Noise Cancelling Bag L55 + L300

Heritage II Digital Turn – Battery Attachment Compatible from Serial Number 7809433019

How to find your serial number

The serial number is located on the sticker on the back of your pump.

Please Note

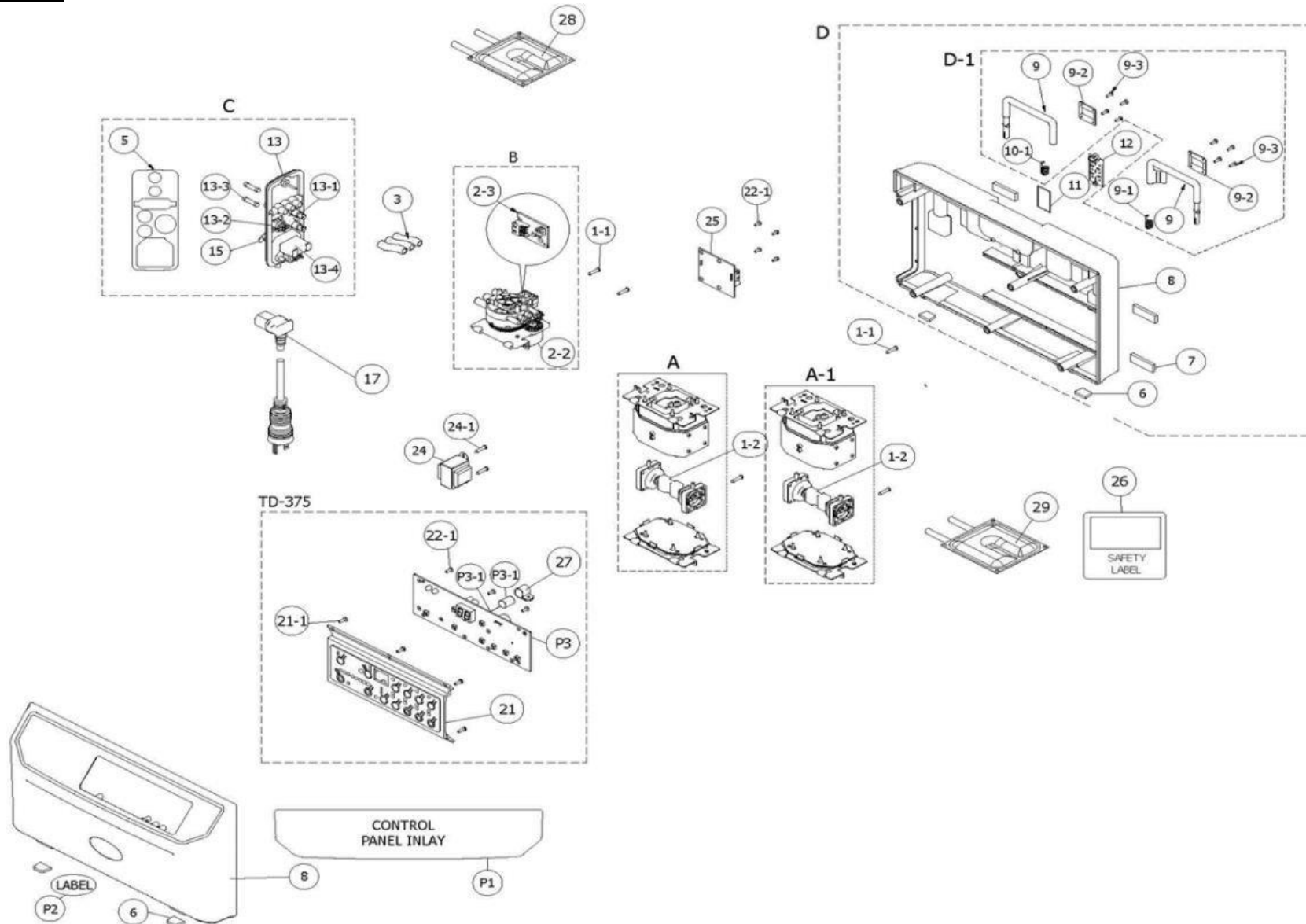
Opening your pump invalidates the manufacturers guarantee. Repairs and/or replacement of parts should only be carried out by trained personnel.

Questions?

Please email enquiries@ultimatehealthcare.co.uk



Spare Parts List

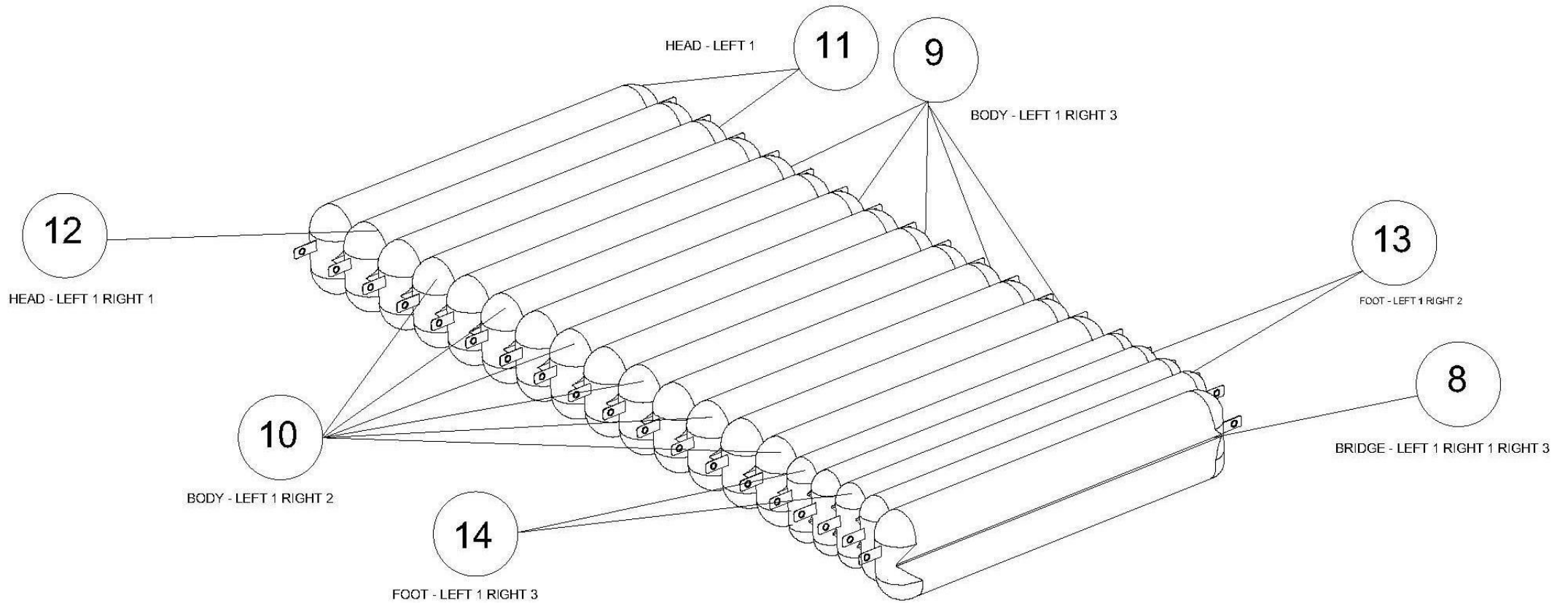


Spare Parts List

Item #	UH Part Number	Description
1	UHSUPRA0257	Mattress Top Cover
2	UHSUPRA0309	Mattress Base 8"
2-1	UHSUPRA0380	8" 19 Cells Mattress Retainer (with Nylon-PVC base)
3	UHSUPRA0119	Pump Connector with Hose, 2-1 Alternating
4	UHSUPRA0115	Pump Connector Sleeve Green/White L1300
5	UHSUPRA0112	Twist Valve Q-CPR Module For 8" Mattresses
6	UHSUPRA0127-1	Twist Valve Q-CPR Sleeve Green/White - Brass/Plastic L240
7	UHSUPRA0118	Manifold 8" Nylon-TPU 2-1 Alternating Q-CPR
	UHSUPRA0093	Manifold 8" Nylon-TPU 2-1 Alternating Q-CPR
7-1	UHSUPRA0449	One-Way Valve Set With Tubing
8	UHSUPRA0120	8" Bridge Cell, Nylon-TPU, L1R1R3
9	UHSUPRA0124	8" Body Cell, Nylon-TPU, L1R3
10	UHSUPRA0123	8" Body Cell, Nylon-TPU, L1R2
11	UHSUPRA0121	8" Head Cell, Nylon-TPU, L1
12	UHSUPRA0122	8" Head Cell, Nylon-TPU, L1R1
13	UHSUPRA0125	8" Foot Cell, Nylon-TPU, L1R2
14	UHSUPRA0126	8" Foot Cell, Nylon-TPU, L1R3
15	UHSUPRA0308	8" Mattress Twist Valve Bolster Valve Module
16	UHSUPRA3678DT-2-VB	8" Mattress Twist Valve Bolster Valve Module
17	UHSUPRA3678DT-2-BC	4" Bolster Cell Left Right
18	UHSUPRA3678DT-2-BL	4" Bolster Cell Left
19	UHSUPRA3678DT-2-BR	4" Bolster Cell Right
20	UHSUPRA3678DT-2-BCR	4" Bolster Cell Right Centre
21	UHSUPRA3678DT-2-BCL	4" Bolster Cell Left Centre



Spare Parts List



Spare Parts List

